



# Gamma Egypt Company

**The sole agent of the Italian Elco Group, Fergas and Olmo in *Middle East and Northern Africa***

***Owner of Plastic factory in Egypt producing refrigerators supplies and plastic products***

**REGAL**

**ELCO®**

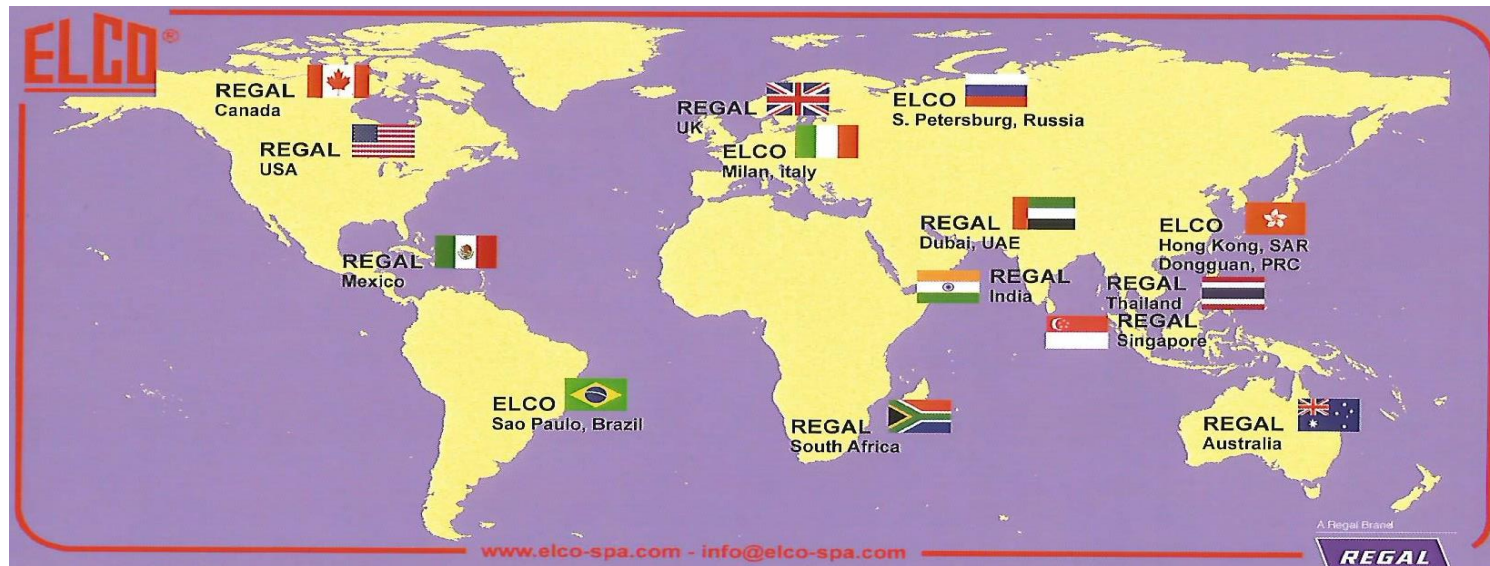
**FERGAS™**

**OLMO**



# Introduction

- **Elco**, with an industrial activity of more than 70 years, is a dynamic company with an expanding product range and position as one of **Europe** largest manufacturers of **electric motors** and **fans**. A presence in over 80 countries enables **Elco** to be confident about its future prospects in a changing world. It has a global production of more than 10 million pieces per year.
- **Elco** has manufacturing facilities in ***Brazil, Bulgaria, Canada, China, Columbia, Italy, Mexico*** and ***Spain***, with plans for further expansion in new areas.





# Introduction

- **Gamma Egypt** has been founded in *2001* in **10<sup>th</sup> of Ramadan-Cairo**, working only in specific plastic category (refrigerators supplies) till the company has evolved and begin to include other plastics lines like hotels equipment, motors equipment, pastries supplies and included also a personalized line where products are produced upon client requests.



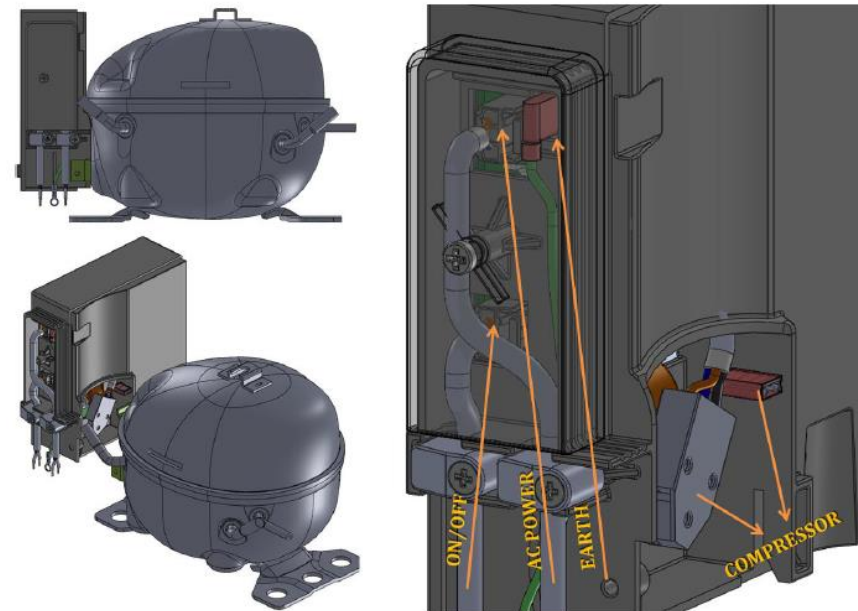
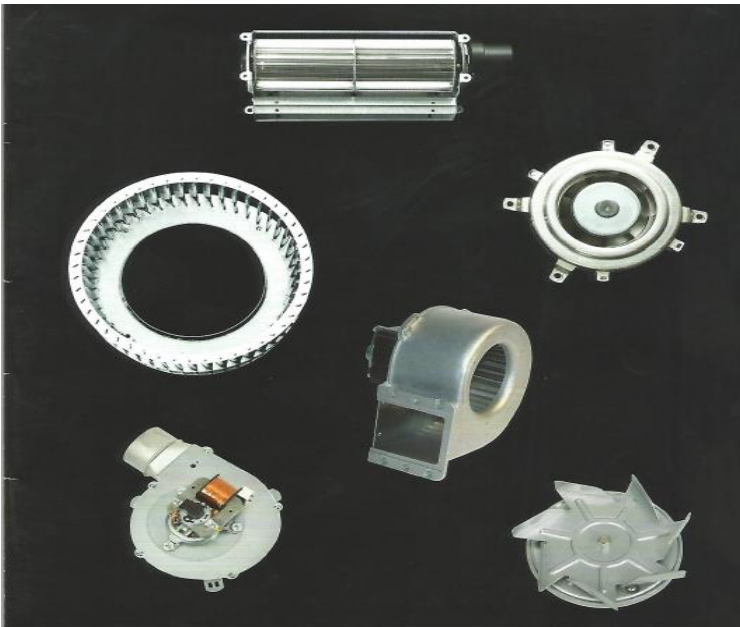
# Gamma Egypt Hierarchy

- Head Office at El-Nozha El-Gedida - Cairo
- Factory at 10<sup>th</sup> of Ramadan City - Cairo
- Stores at 10<sup>th</sup> of Ramadan City - Cairo
- Office at Dubai



# Products

- **Elco** manufactures a wide range of **EC & AC motors, fans and blowers** that are supplied to customers worldwide to be used in *heating, ventilation, air conditioning* and *refrigeration* equipment, as well as many other diverse fan and mechanical duty applications.





# ULTEMAX<sup>®</sup> AXIAL PM MOTOR

## BIG FOOTPRINT REDUCTION



UlteMAX<sup>®</sup> motor is the new, game-changing addition to the Marathon<sup>®</sup> motor family.

Its "hidden" axial design and custom control offer a **Big Footprint reduction of at least 50%\*** while **MAXimizing** output over a wide range of speed for air handling and ventilation applications.

UlteMAX motor's product profile enables flexible mounting options, on-site customization and future upgrades.

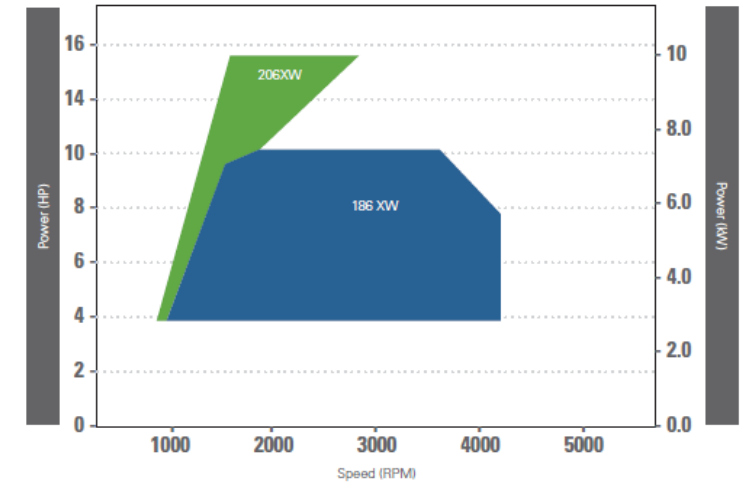
**UlteMAX<sup>®</sup>**

# ULTEMAX<sup>®</sup> AXIAL PM MOTOR

**UlteMAX<sup>®</sup>**

## FEATURES

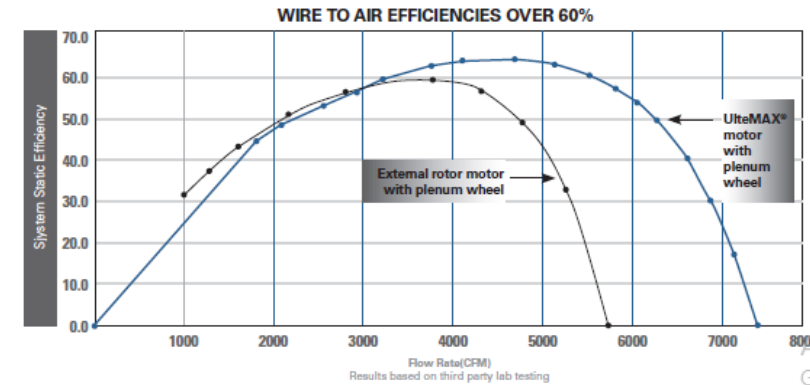
- 3 Phase 230/400/460V 50/60 Hz
- 3-15 HP (2,2 - 11 kW)
- Horizontal or vertical orientations
- Compact (4.5" or 11.43 cm thick)
- Analog, digital, and Modbus controls
- Integrated VFD with built-in intelligence
- At least 1/2 the weight of traditional induction motor
- High power density
- IP20, IP54
- UL & CE recognized



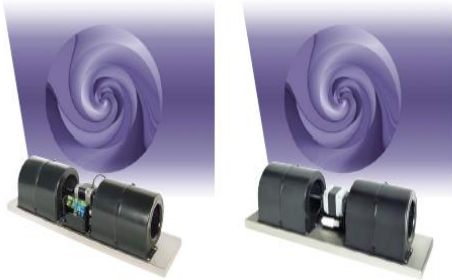
## BENEFITS

- Reduction in overall system package\*
- Reduction in weight\*
- Pre-programmed VFD
- Reduction in inventory space and SKUs\*
- Reduction in motor class (down size motor frame)\*
- Simplified electrical installation
- Customizable

\*When compared to traditional, radial style induction motors



# ELCO®



**ECM CO**  
Fan Decks  
High Efficiency



**CO**  
Fan Decks



**DDe**  
Electronic  
Centrifugal  
Blowers

**DD**  
Centrifugal  
Blowers



**N - M58 - CN**  
Shaded Pole Motors



**CF**  
Axial Fan



**DD**  
Centrifugal Blowers



**CO**  
Fan Decks







# Mission

*We can meet your needs for high quality, technically advanced products, designed to meet your requirements, coupled with availability at short notice and low cost.*



# Contact Us

*Mobile Italy : +393888065469*

*Mobile Egypt : +201006070697*

*Email : [aiman.elshihi@elco-international.com](mailto:aiman.elshihi@elco-international.com)*

*Email : [gamma.egypt@elco-international.com](mailto:gamma.egypt@elco-international.com)*

*Website: [www.elco-international.com](http://www.elco-international.com)*

*Best Regards*

